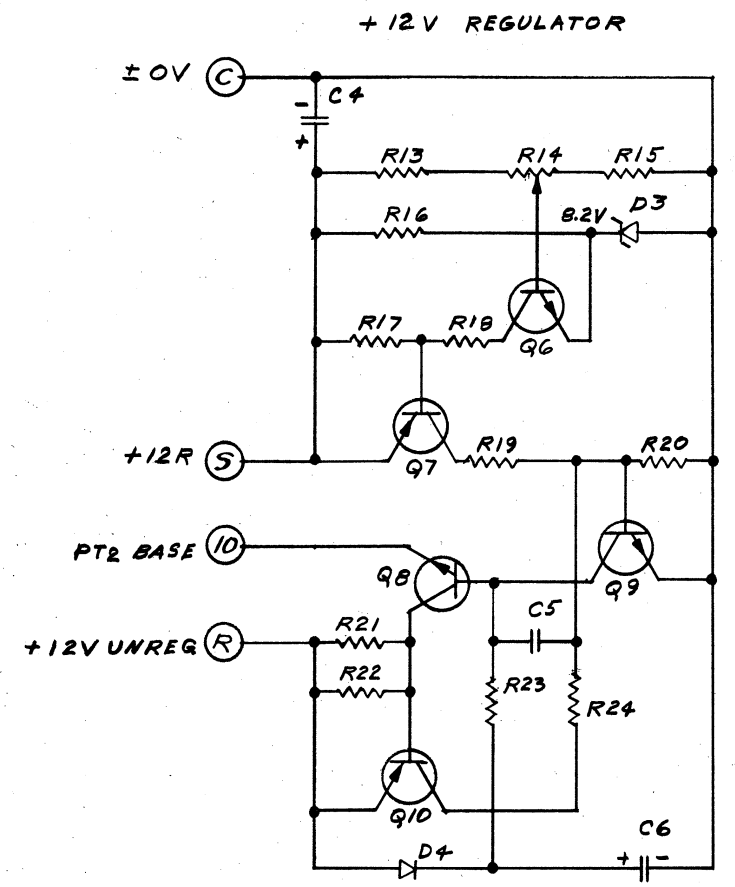
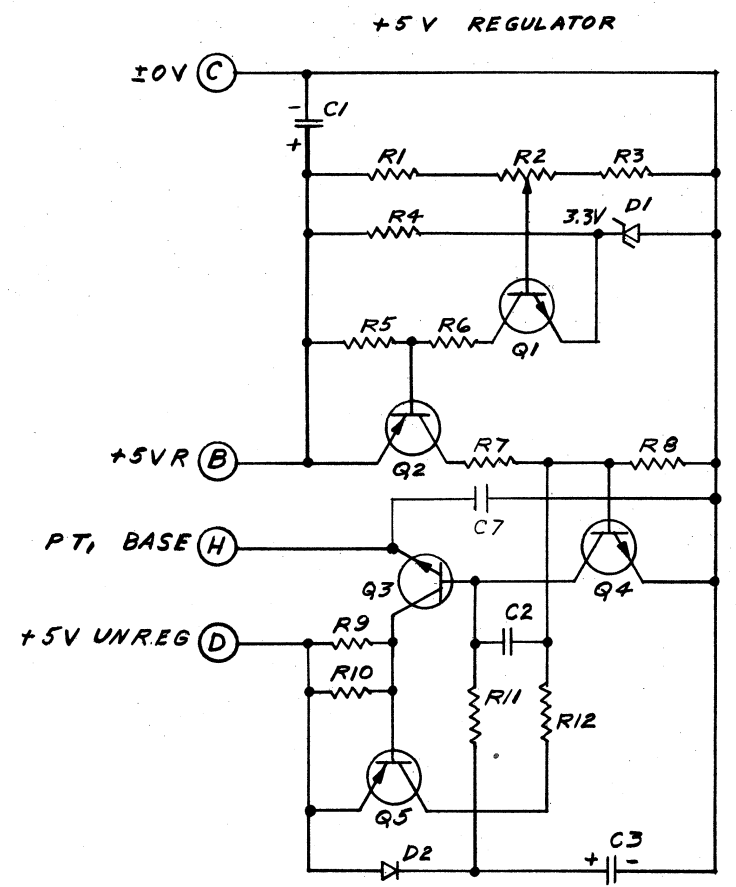


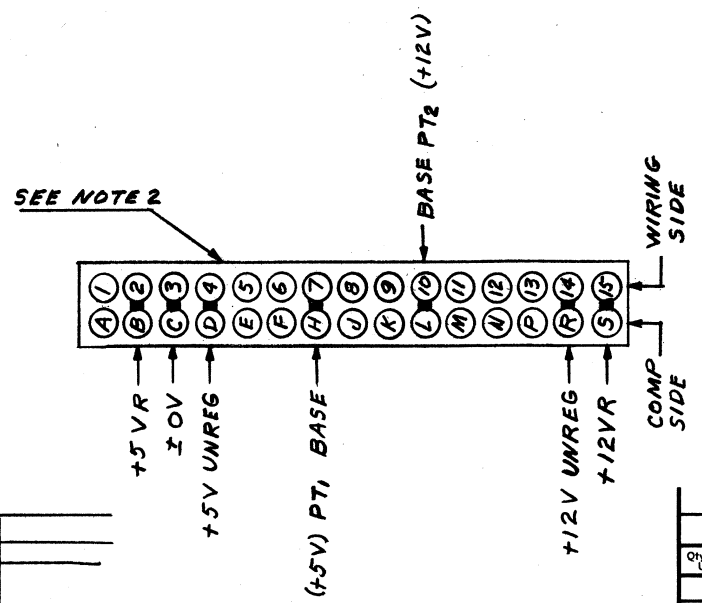
DO NOT SCALE

HOLE LEGEND		
DRILLED OR PUNCHED HOLE TOLERANCES:	HOLE DIA.	TOL.
	.0135 to .125	+.003
	.126 to .250	+.004
	.251 to .500	+.005

IDENT.	DESCRIPTION	QTY.
A		



COMP	SIZE / TYPE	QTY
R1, 13	220 Ω	2
R2, 14	1K POT.	2
R3, 15	1.5K	2
R4	100 Ω 1/2W	1
R5, 8, 17, 20	4.7K	4
R6, 18	1K	2
R7, 19	2.2K	2
R21, 22	10 Ω	2
R23	330 Ω 1/2W	1
R12, 24	470 Ω 1/2W	2
C1, 3	100 μF / 15V	2
C2	0.1 μF 10V CER.	1
C4	50 μF / 50V	1
C6	50 μF / 50V	1
D1	1N746A	1
D2, 4	1N3253	2
Q1, 4, 6, 9	RCA35224	4
Q2, 5, 7, 10	GT544	4
Q8	2N5189	1
D3	1N756A	1
R9	2.7 Ω	1
R16	330 Ω 10%	1
Q3	2N3725	1
C7	.01 μF 25V	1
R11	100 Ω 1/2W	1
C5	.1 μF 20V CER.	1



NOTE:
 1. ALL RESISTORS 1/4 W UNLESS SPECIFIED OTHERWISE
 2. PC SOCKET IS SOLDERED ON TO PC 6052

NO.	REVISION	BY	DATE	LEG	APP.	RTT
1	PER ECN 1597 R9 WAS 10.2 DELETED R10 = 10.2	LEG	4-24-70	JK	JK	JK
2	PER ECN 2010 R16 WAS 330 Ω 1/2W NOW 330 Ω 1/4W 10% APP. RTT	JK	3/15/71	JK	JK	JK
3	PER ECN #3104 Q3 WAS 2N5189 APP'D SKH	JK	8/2/72	JK	JK	JK
4	PER ECN #3180 ADDED C7 CAP. APP'D SKH	JK	8-25-72	JK	JK	JK
5	PER ECN #3359 R11 WAS 330 Ω 1/4W APP'D SKH	JK	11-3-72	JK	JK	JK

WANG PART NO.	ITEM	QTY.	NAME	MATERIAL	DESCRIPTION
	FIRST USED ON				
	ASSY USED ON				
			WANG LABORATORIES, INC. TEWKSBURY, MASS. U. S. A.	BY: DWN, DATE: 9/29/69, APPROVED BY: SKH, DATE: 3/13/70	
			MATERIAL	MODEL NO. 700 SYSTEM	TITLE: +5V REGULATOR P.C. #335 +12V REGULATOR
			FINISH	SEE ENGRG SPECIFICATIONS	E. C. CONTROL MFG ENGR
				TOL. EX. AS NOTED .XX ± .010 FRAC. ± 1/64 .XXX ± .005 ANG. ± 1°30' FINISH √	C 6046 5
SCALE	SHT	OF	WANG PART NUMBER	SIZE	DRAWING NUMBER