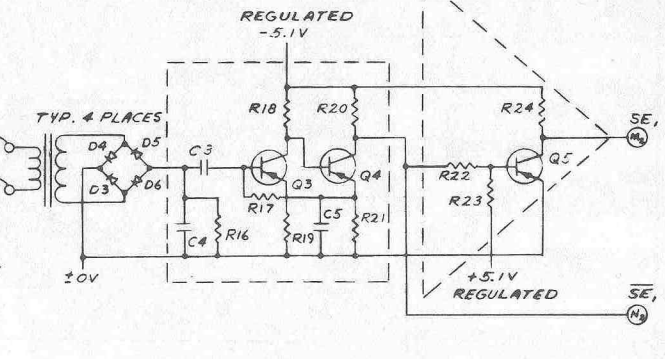
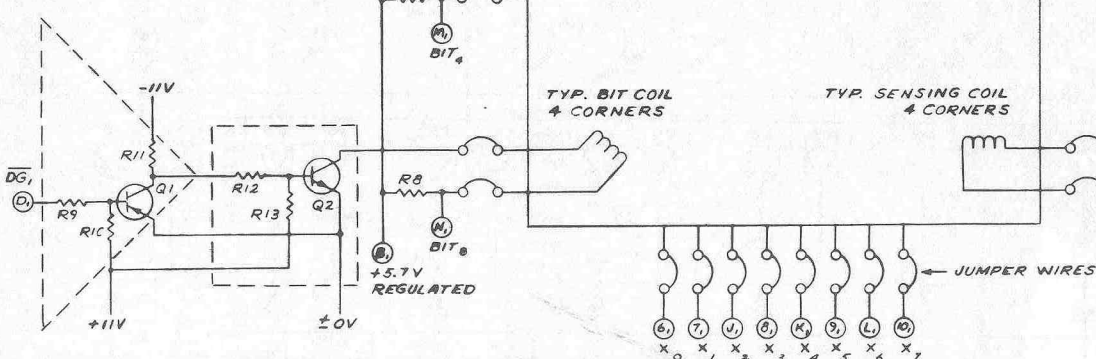
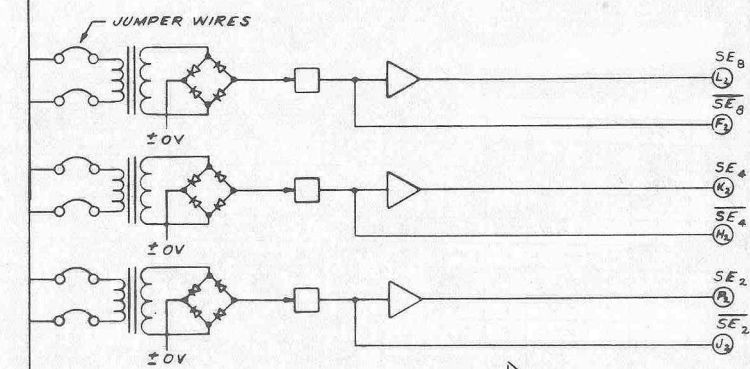
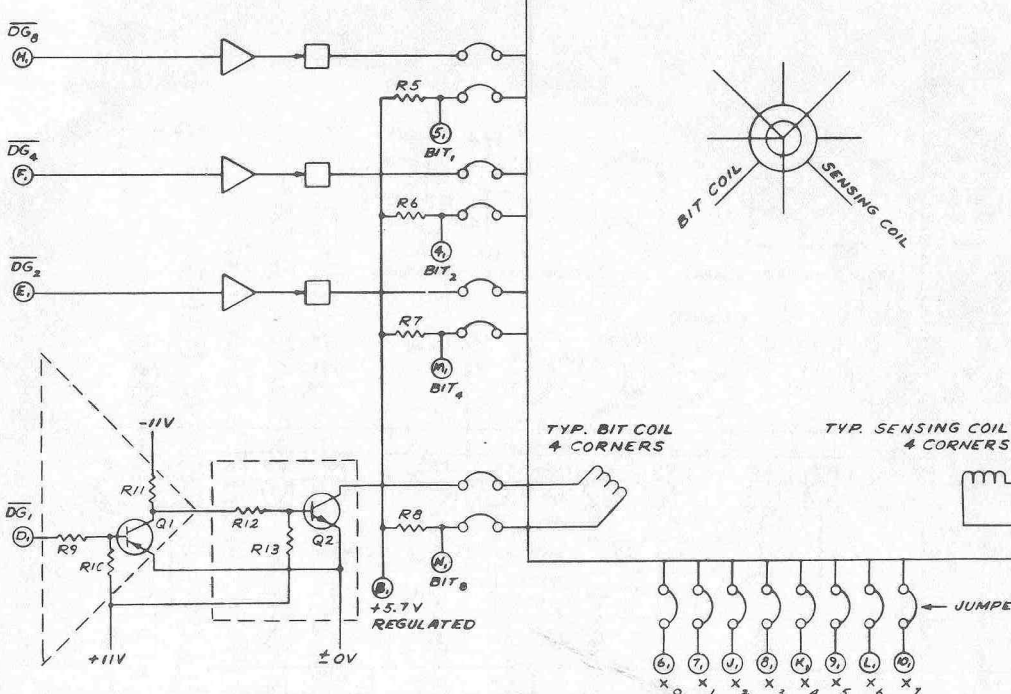
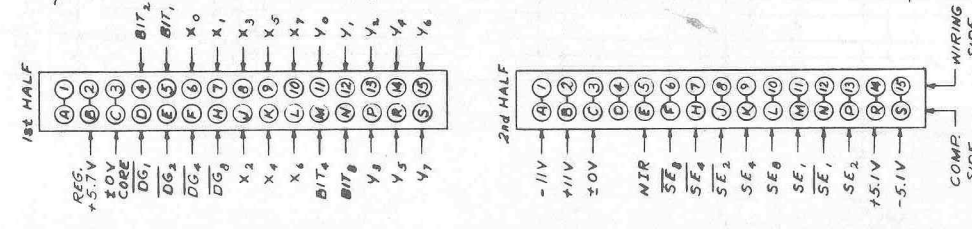


COMP.	TYPE, SIZE	QTY.
R1	220 Ω 1/2W	1
R2	470 Ω 1/2W	1
R3	T.C. 1K 2%	1
R4	2.7K 2%	1
R5,6,7,8,15	25 Ω 1%	6
R9,13,20	2.2K	12
R10,18,23	2.2K	12
R11	520 Ω 1/4W	4
R12	470 Ω 1/4W	4
R16	10K	4
R17	2.7K	4
R19	220 Ω	4
R21	330 Ω	4
R22	4.7K	4
R24	100K	4

COMP.	TYPE, SIZE	QTY.
D1,2	1N751A	2
D3,4,5,6	1N764	16
C1,2	5 μf	2
C3	370 μmf	4
C4	2.2 μmf	4
C5	.022 μf	4
Q1	37676-2	4
Q2	40399	4
Q3,4,5	6516	12



SIGNAL-TERMINAL DESIGNATIONS VIEW, FROM BOTTOM (WIRING) SIDE OF CONNECTOR



REV: 5-4-67 R14,15 WAS 22Ω, R17 WAS 1.5M.-PER.NC40

REVISIONS		TOLERANCES UNLESS NOTED		WANG LABORATORIES INC.	
REVISED WITH	DATE	DECIMAL	FRACTIONAL	TEWKSBURY, MASS.	
EXTENSIVE CHANGES PER MARKED PRINT	12/1/67	SERIAL NO.	SCALE	DRAWN BY F.S.S.	
		APPROVED BY			
		TITLE		SCHEMATIC LOGIBLOC #509	
		PROJECT		CORE STORAGE	
		ANGULAR	DATE	DRG. NO.	
			5-31-66		5472