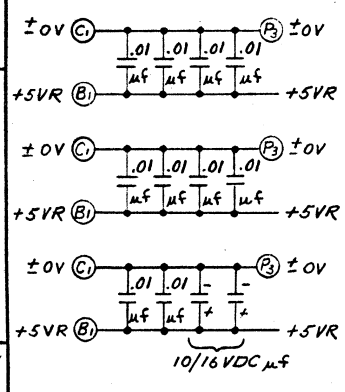
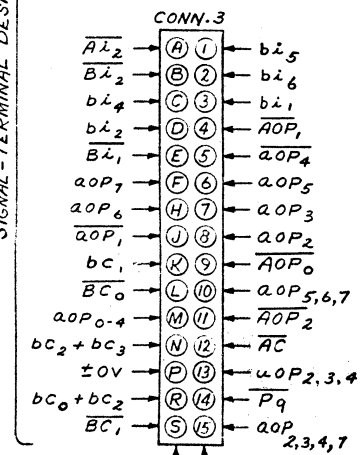
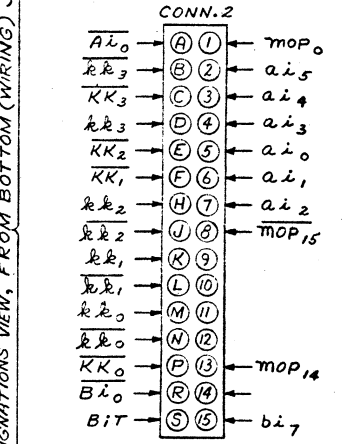
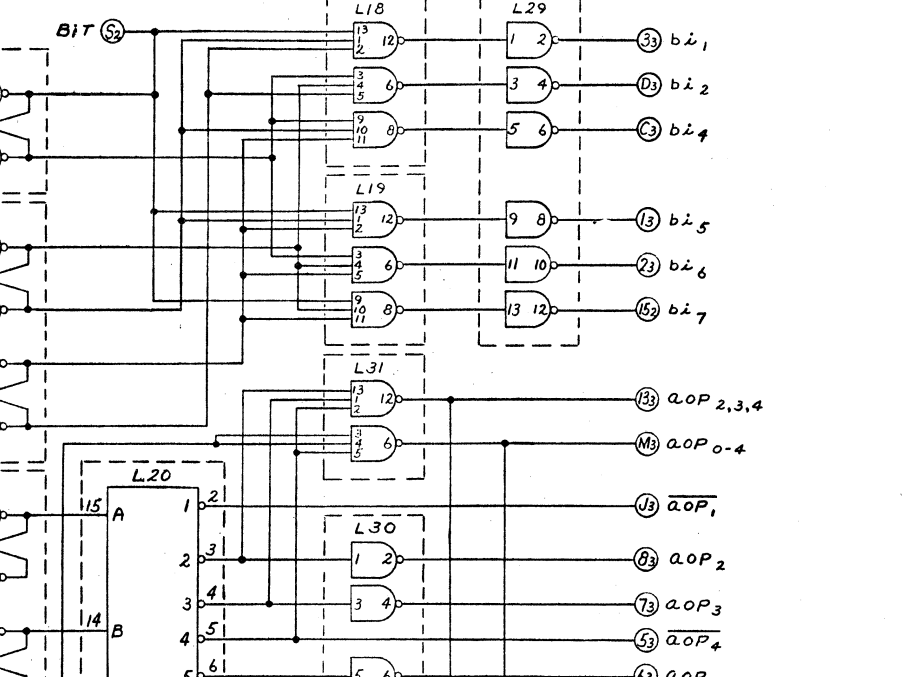
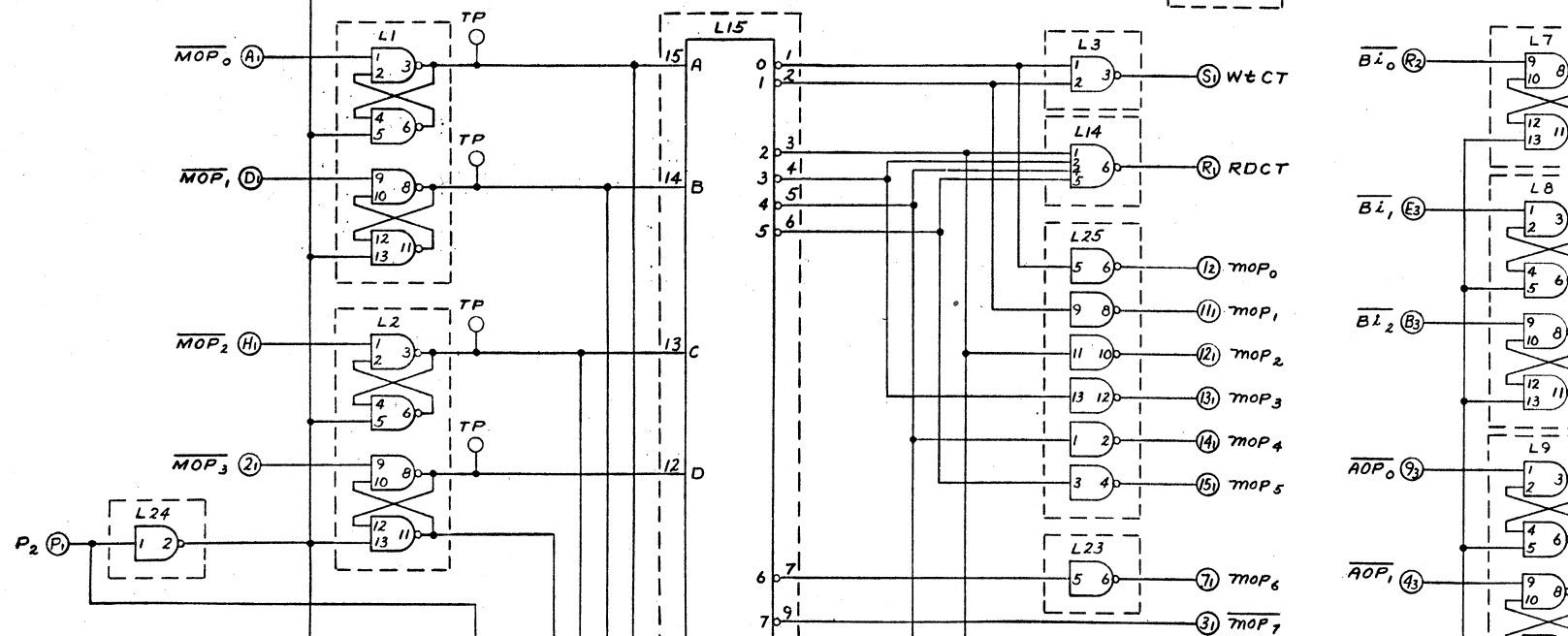
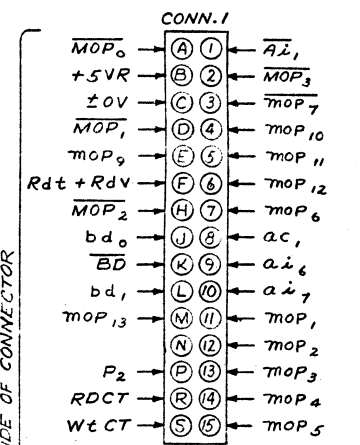
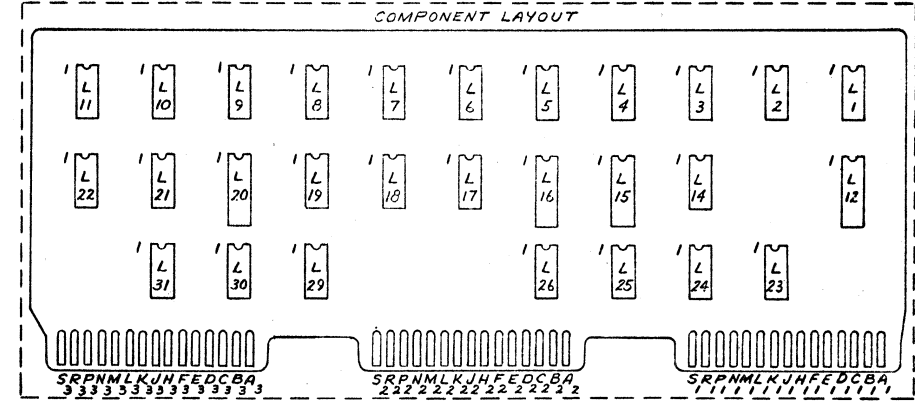
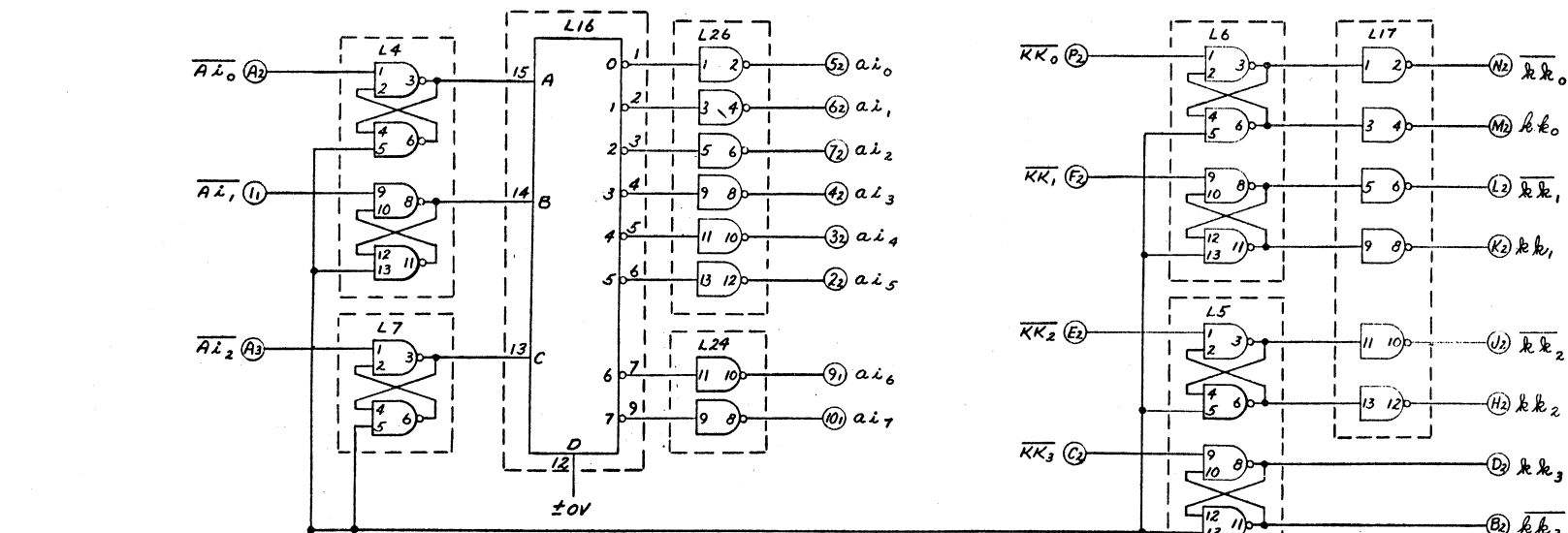


I.C. LOCATION	TYPE	W.L. NO.	QTY.	TERM FOR VCC +5V	TERM FOR ±0V
L1, 2, 3, 4, 5, 6, 7, 8, 9, 10, 11, 22	SN7400N	376-0002	12	14	7
L21	SN7402N	376-0016	1	14	7
L17, 23, 24, 25, 26, 29, 30	SN7404N	376-0019	7	14	7
L18, 19, 31	SN7410N	376-0003	3	14	7
L14	SN7420N	376-0004	1	14	7
L12, 15, 16, 20	SN7442N	376-0008	4	16	8



NO.	REVISION	DATE	BY	REASON
1	REVISED PER E.C. NO. 1507	1/10/70
2	REVISED PER E.C. NO. 1552	3/13/70
3	REVISED PER E.C. NO. 1572	3/13/70

TOL. EX. AS NOTED		IDENT	QTY	NAME	MATERIAL	DESCRIPTION
.XX ±.010 ANO. ±0°30'		WANG LABORATORIES, INC.		DR. F.S.S.	DATE 8/25/69	
.XXX ±.005 FRAC. ±1/64		TENNESBURY, MASS. U. S. A.		CHK RIT	DATE 3/13/70	
FINISH: ✓		MODEL No.		W.O. No.	SCALE	SHEET OF
MATERIAL		TITLE SCHEMATIC LOGIBLOC #5922 ROM DECODER		APPSK/H	DATE 3/13/70	
FINISH		PART NUMBER		REV	SIZE	DRAWING NUMBER
		3 D				5922-1

D 5922-1