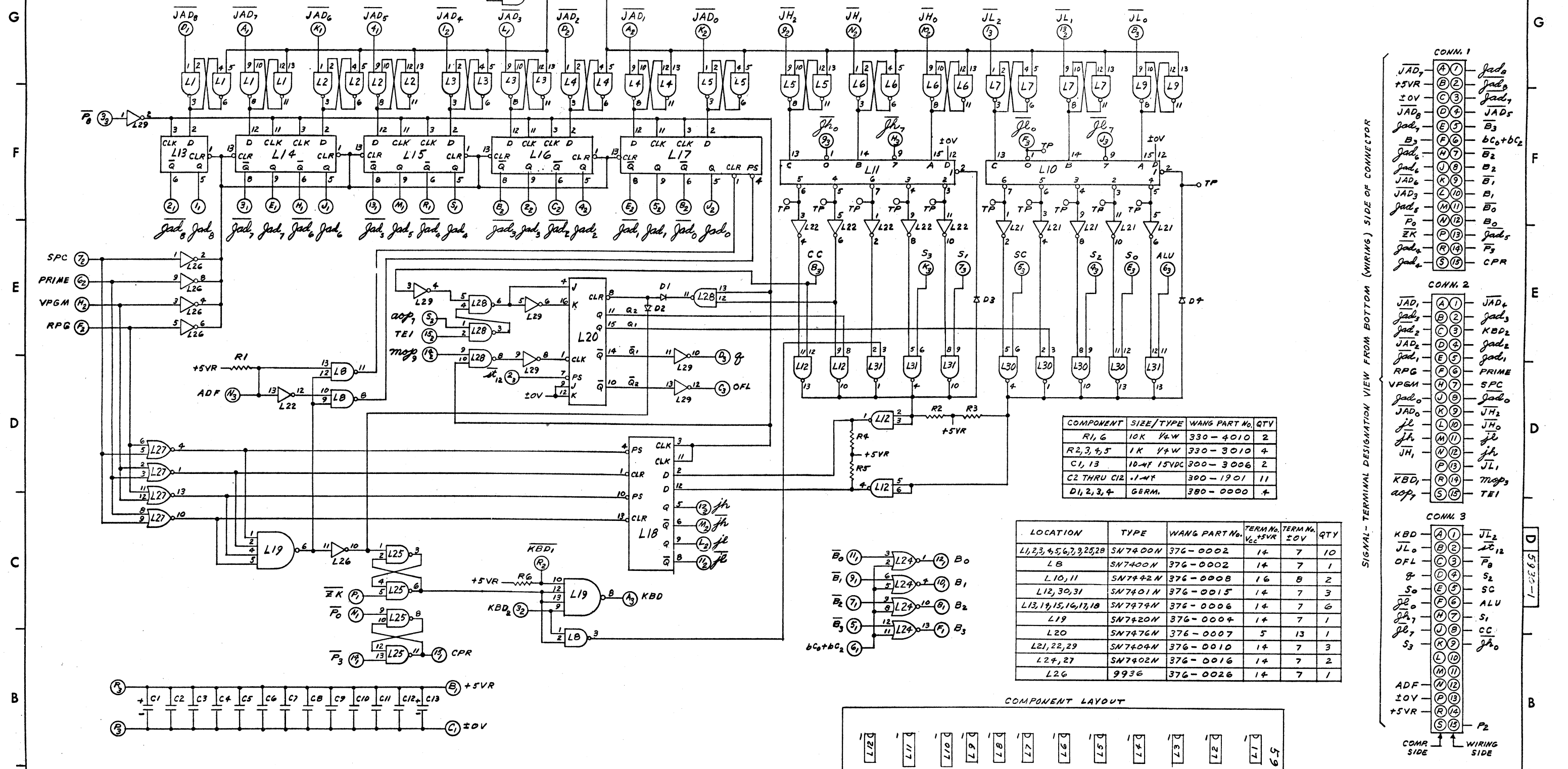


DO NOT SCALE



SIGNAL - TERMINAL DESIGNATION VIEW FROM BOTTOM (WIRING) SIDE OF CONNECTOR

CONN. 1

JAD ₇	(A) 1	JAD ₀
+5VR	(B) 2	JAD ₁
±0V	(C) 3	JAD ₂
JAD ₈	(D) 4	JAD ₃
JAD ₆	(E) 5	B ₃
B ₃	(F) 6	bc ₀ +bc ₂
JAD ₅	(G) 7	B ₂
JAD ₄	(H) 8	B ₁
JAD ₃	(I) 9	B ₀
JAD ₂	(J) 10	B ₀
F ₀	(K) 11	JAD ₅
ZK	(L) 12	F ₃
JAD ₁	(M) 13	F ₃
JAD ₀	(N) 14	CPR
	(P) 15	

CONN. 2

JAD ₁	(A) 1	JAD ₃
JAD ₃	(B) 2	JAD ₃
JAD ₂	(C) 3	KBD ₂
JAD ₂	(D) 4	JAD ₂
JAD ₁	(E) 5	JAD ₁
RPG	(F) 6	PRIME
VPGM	(G) 7	SPC
JAD ₀	(H) 8	JAD ₀
JAD ₀	(I) 9	JH ₂
JH ₂	(J) 10	JH ₀
JH ₀	(K) 11	JH ₀
JH ₁	(L) 12	JH ₁
KBD ₁	(M) 13	JL ₁
asp ₁	(N) 14	map ₃
	(P) 15	TE1

CONN. 3

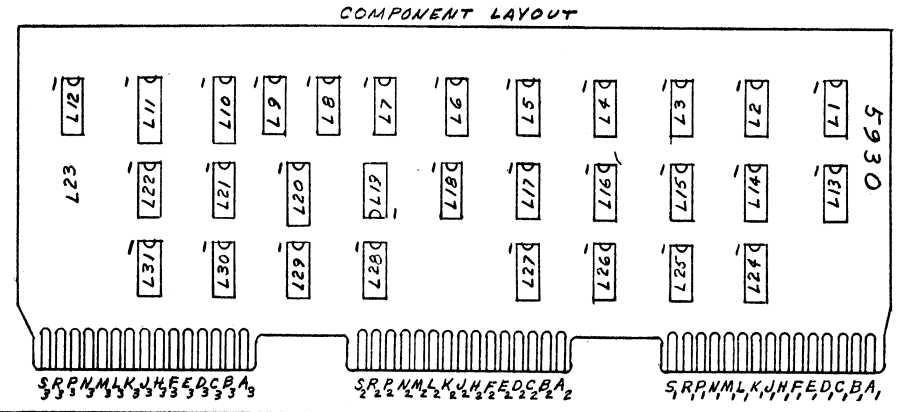
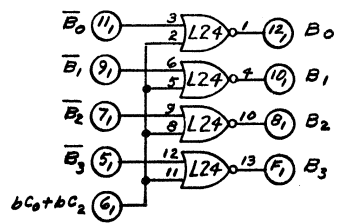
KBD	(A) 1	JL ₂
JL ₀	(B) 2	JL ₁₂
OFL	(C) 3	F ₀
F ₀	(D) 4	S ₂
S ₀	(E) 5	SC
JL ₀	(F) 6	ALU
JH ₁	(G) 7	S ₁
JL ₁	(H) 8	CC
S ₃	(I) 9	JH ₀
	(J) 10	
	(K) 11	
ADF	(L) 12	
±0V	(M) 13	
+5VR	(N) 14	
	(P) 15	F ₂

COMPONENT

SIZE/TYPE	WANG PART NO.	QTY
R1, 6	10K 1/4W 330-4010	2
R2, 3, 4, 5	1K 1/4W 330-3010	4
C1, 13	10-MF 15VDC 300-3006	2
C2 THRU C12	1-MF 300-1901	11
D1, 2, 3, 4	GERM. 380-0000	4

LOCATION TYPE WANG PART NO. TERM. No. Vcc +5VR TERM. No. ±0V QTY

L1, 2, 3, 4, 5, 6, 7, 8, 25, 28	SN7400N	376-0002	14	7	10
LB	SN7400N	376-0002	14	7	1
L10, 11	SN7442N	376-0008	16	8	2
L12, 30, 31	SN7401N	376-0015	14	7	3
L13, 14, 15, 16, 17, 18	SN7474N	376-0006	14	7	6
L19	SN7420N	376-0004	14	7	1
L20	SN7476N	376-0007	5	13	1
L21, 22, 29	SN7404N	376-0010	14	7	3
L24, 27	SN7402N	376-0016	14	7	2
L26	9936	376-0026	14	7	1



WANG LABORATORIES INC.
TEWKSBURY, MASS.

MODEL NO. 700-C DRAWN BY 9/23/72 APP. SKH/10/10/72
CHECKED BY 12/10/22/71 APP.

TITLE SCHEMATIC LOGIBLOC # 5930
JH, JL, JAD (ROM ADDRESS)

SHT OF Dwg. No. 5930-1 REV. 1

REVISION

NO.	DATE	BY	DESCRIPTION
1	1-27-72	PG	PER ECK 2723 LB WAS 9946 APP. SKH